

Product Details

Bathroom-Accessories

Project

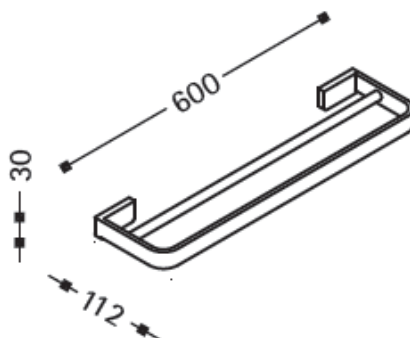


Project Line Double Towel Rail

Covered screws

Material: Brass

Code	Version	W x H x D in mm
82304	Chrome	600 x 30 x 112



Cleaning Instructions - Bathroom-Accessories:

- Please clean the surface with mild soap and water to avoid damaging the finish.
- Rinse with water and dry with a soft cotton cloth.
- Do NOT use cleaners containing acids, ammonia or abrasives. Such products will damage the finish!



CERTIFICATE - WARRANTY

All our accessories are manufactured in accordance with European standards and from the highest quality materials ensuring superior quality and durability. All brass constructed items with chrome finish are constructed to resist corrosion and are warranted for 10 years provided that proper installation and all maintenance instructions are followed. *For complete warranty information please contact us.*

ALISEO GmbH · Leutkirchstraße 63 · 77723 Gengenbach

Tel. +49 (0) 7803-60279-0

Fax +49 (0) 7803-60279-30

E-Mail: info@aliseo.de · Internet: www.aliseo.de

ALISEO GmbH
G E R M A N Y

产品信息

卫浴五金

工程系列

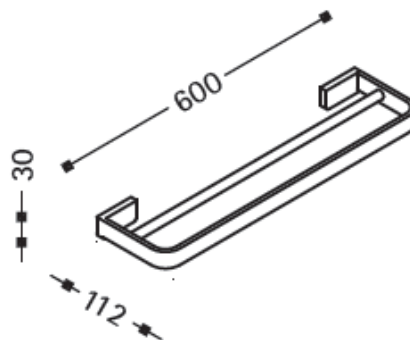


Project Line

双杆毛巾杆

Covered screws
Material: Brass

型号	表面处理	W x H x D in mm
82304	镀铬	600 x 30 x 112



卫浴五金-清洁保养指导:

- 用柔软的纯棉布沾低浓度肥皂水擦拭产品表面，再用干净的绵布轻柔擦干表面，以保证表面光泽亮丽。
- 切勿使用含有漂白剂、磨损性或洗涤性的清洁剂，类似产品会损坏镀铬表面。



CERTIFICATE - WARRANTY

All our accessories are manufactured in accordance with European standards and from the highest quality materials ensuring superior quality and durability. All brass constructed items with chrome finish are constructed to resist corrosion and are warranted for 10 years provided that proper installation and all maintenance instructions are followed. *For complete warranty information please contact us.*

ALISEO GmbH · Leutkirchstraße 63 · 77723 Gengenbach

Tel. +49 (0) 7803-60279-0

Fax +49 (0) 7803-60279-30

E-Mail: info@aliseo.de · Internet: www.aliseo.de

ALISEO GmbH
G E R M A N Y