

# Product Details

Magnifying Mirrors Lighted

*Lumina*

## LED CUBIK LIMITED



**Technology**  
Two-Tone-Touch Control

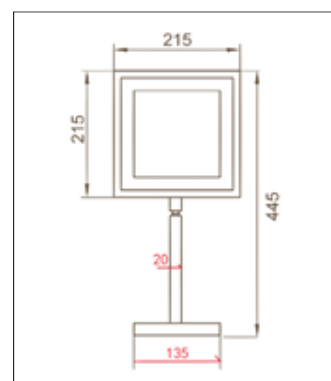
- Free standing
- LED - lighting
- Maintenance free - 50.000 hours lifespan
- Hi-tech two tone touch control:  
Lighted touch switch activates a cool white  
or a warm light
- 3 x magnification
- Full pivotal adjustment
- Material: brass
- Class I, 100-240 V



- ▶ With straight cord and plug for plug-in application:

Code	Finish	
020757	chrome	215 x 215 mm

- ▶ 110 V upon request



### Cleaning Instructions - Magnifying Mirrors:

- **Mirror Lens**  
Wipe down with a light solution of soap suds. Do NOT use sponges or cloths that may damage the surface. Wipe with a damp cloth. Polish with a dry soft cotton cloth.
- **Chrome Trim & Arms**  
Do NOT use any cleaners containing acids, ammonia or abrasives. The use of such products even in a diluted form may damage the finish

ALISEO GmbH · Leutkirchstraße 63 · 77723 Gengenbach

Tel. +49 (0) 7803-60279-0

Fax +49 (0) 7803-60279-30

E-Mail: [info@aliseo.de](mailto:info@aliseo.de) · Internet: [www.aliseo.de](http://www.aliseo.de)

**ALISEO** GmbH  
G E R M A N Y

# 产品详细信息

带灯化妆镜

Lumina

## LED CUBIK LIMITED

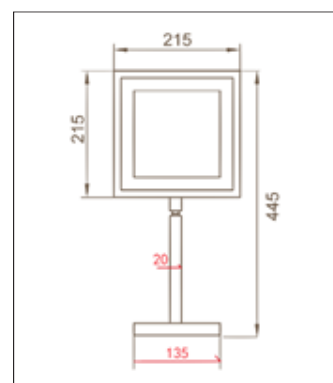


**T3Technology**

Two-Tone-Touch Control

独创双色切换发光技术

- 带灯台式方形T3化妆镜
- LED-T3双色光源发光技术
- 使用寿命：50.000 小时持续照明
- 明亮白光、柔和黄光快速切换
- 极简纤薄镜身设计
- 3 倍放大镜面
- 镜面万向旋转关节
- 一类绝缘
- 100-240 V



▶ 带电源线以及插头

型号	表面处理	直径
020757	镀铬	215 x 215 mm

### 化妆镜-清洁保养指导

#### 镜面

用柔软的纯棉布蘸清水或低浓度肥皂水以打圈的方式轻柔擦拭镜面；切勿使用可能损伤镜面的海绵或硬布。

#### 镀铬表面及镜臂

用柔软的纯棉布沾低浓度肥皂水擦拭清洁，去除表面沉积的灰尘污垢，再用干净的纯棉布轻柔擦干表面，以保证表面光泽亮丽；切勿使用含有氢、氯、磷、乙酸或醋酸等具有腐蚀性的清洁剂；切勿使用含有漂白剂、磨损性或洗涤性的清洗剂，类似产品会损伤镀铬表面。

ALISEO GmbH · Leutkirchstraße 63 · 77723 Gengenbach

Tel. +49 (0) 7803-60279-0

Fax +49 (0) 7803-60279-30

E-Mail: info@aliseo.de · Internet: www.aliseo.de

**ALISEO** GmbH  
G E R M A N Y