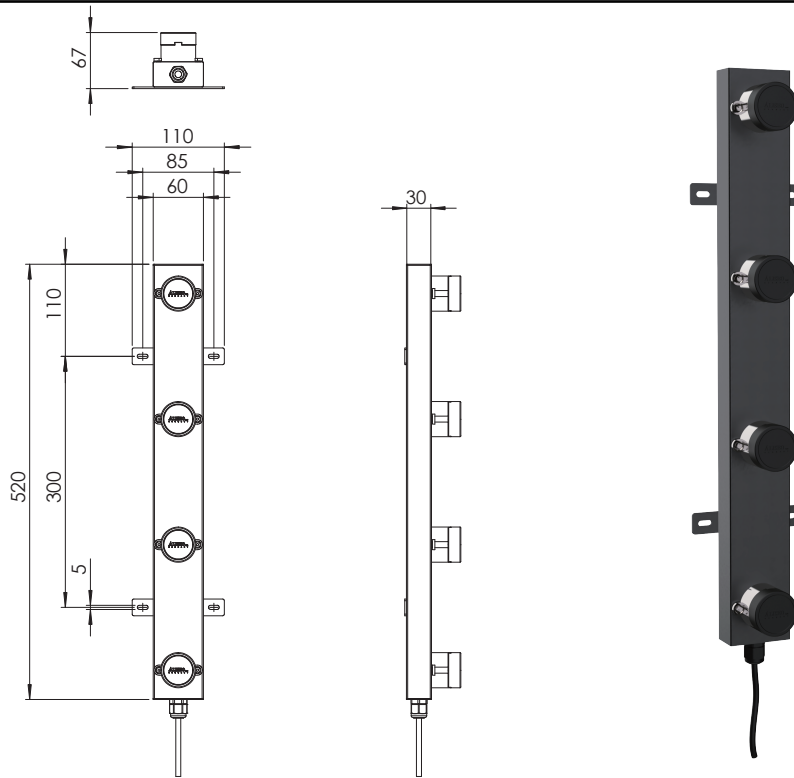


产品信息

碳纤维电热毛巾架(预埋件)



Carbon Fibre Heated Towel (Embedded parts)

碳纤维电热毛巾架（预埋件）

- 碳钢
- 黑色
- 预留民用三相电源对接
- 预埋管内带3x0.75mm平方多股软线
- 线长1米

型号	材质	高 x 宽 x 深 mm
HTC073HRB2-F	碳钢	520 x 110 x 67

电热毛巾架-清洁保养指导：

- 用柔软的纯棉布沾低浓度肥皂水擦拭产品表面，再用干净的绵布轻柔擦干表面，以保证表面光泽亮丽。
- 切勿使用含有漂白剂、磨损性或洗涤性的清洁剂，类似产品会损坏表面。
- 切勿用金属材质撞击产品。



CERTIFICATE - WARRANTY

All our accessories are manufactured in accordance with European standards and from the highest quality materials ensuring superior quality and durability. All brass constructed items with chrome finish are constructed to resist corrosion and are warranted for 10 years provided that proper installation and all maintenance instructions are followed. *For complete warranty information please contact us.*

ALISEO GmbH · Leutkirchstraße 63 · 77723 Gengenbach

Tel. +49 (0) 7803-60279-0

Fax +49 (0) 7803-60279-30

E-Mail: info@aliseo.de · Internet: www.aliseo.de

ALISEO GmbH
G E R M A N Y