

# 产品信息

卫浴五金

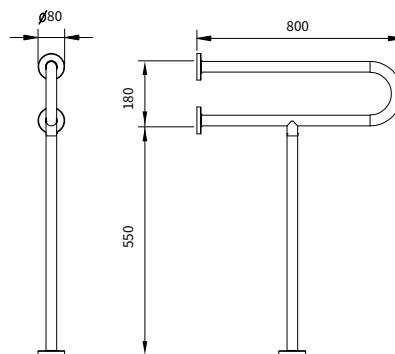
工程系列



Project Line  
残疾人扶手

Covered screws  
Material: Stainless Steel

型号	颜色	W x H x D
82058	拉丝	80 x 730 x 800 mm



#### 卫浴五金-清洁保养指导：

- 用柔软的纯棉布沾低浓度肥皂水擦拭产品表面，再用干净的棉布轻柔擦干表面，以保证表面光泽亮丽。
- 切勿使用含有漂白剂、磨损性或洗涤性的清洁剂，类似产品会损坏产品表面。



#### CERTIFICATE - WARRANTY

All our accessories are manufactured in accordance with European standards and from the highest quality materials ensuring superior quality and durability. All brass constructed items with chrome finish are constructed to resist corrosion and are warranted for 10 years provided that proper installation and all maintenance instructions are followed. For complete warranty information please contact us.

ALISEO GmbH · Leutkirchstraße 63 · 77723 Gengenbach  
Tel. +49 (0) 7803-60279-0  
Fax +49 (0) 7803-60279-30  
E-Mail: info@aliseo.de · Internet: www.aliseo.de

**ALISEO** GmbH  
G E R M A N Y